

**DOUBLE ACTING HIGH TONNAGE CYLINDERS**



**LARZEP advantages**

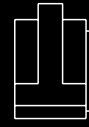
- Capacity from 50 to 1.100 Tn, stroke up to 300 mm.
- For harsh conditions in both vertical and horizontal positions.
- External safety valve to prevent accidental over-pressure.
- On request, DDR cylinders can be supplied with threads or other special features such as lock nuts, sleeves, etc.
- Models available up to 2.000 Tn lifting capacity per cylinder.

**NEW MODELS 50 and 100 Tn.**

Larzep designs and manufactures DDR special cylinders up to 2.000 Tn to place load cells for pile testing applications.

Capacity Tn	Stroke mm	Model LARZEP	Capacity (kN)	
			Push	Pull
50	50	DDR05005	486	141
	100	DDR05010	486	141
	150	DDR05015	486	141
	200	DDR05020	486	141
	250	DDR05025	486	141
	300	DDR05030	486	141
100	50	DDR10005	911	372
	100	DDR10010	911	372
	150	DDR10015	911	372
	200	DDR10020	911	372
	250	DDR10025	911	372
	300	DDR10030	911	372
140	50	DDR14005	1.380	728
	100	DDR14010	1.380	728
	150	DDR14015	1.380	728
	200	DDR14020	1.380	728
	250	DDR14025	1.380	728
	300	DDR14030	1.380	728

## DOUBLE ACTING CYLINDERS

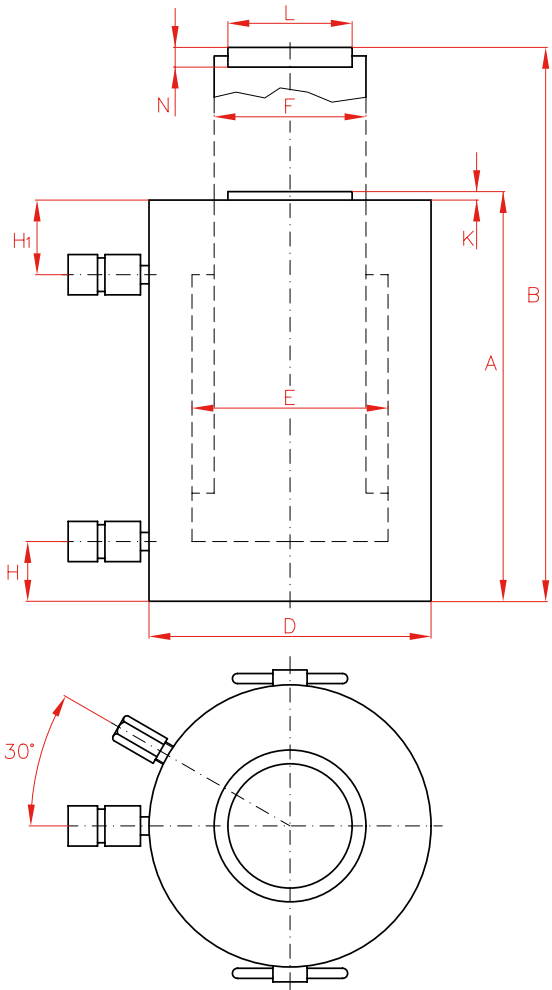


# DDR

## 50-1.100 Tn.

## 700 bar

CYLINDERS



Low Height Single Acting Cylinders, High Tonnage, SPR.

Page. 24



Single Acting Pancake Lock Nut Cylinders, STX.

Page. 46



Optional Tilting Saddle.

Page. 112

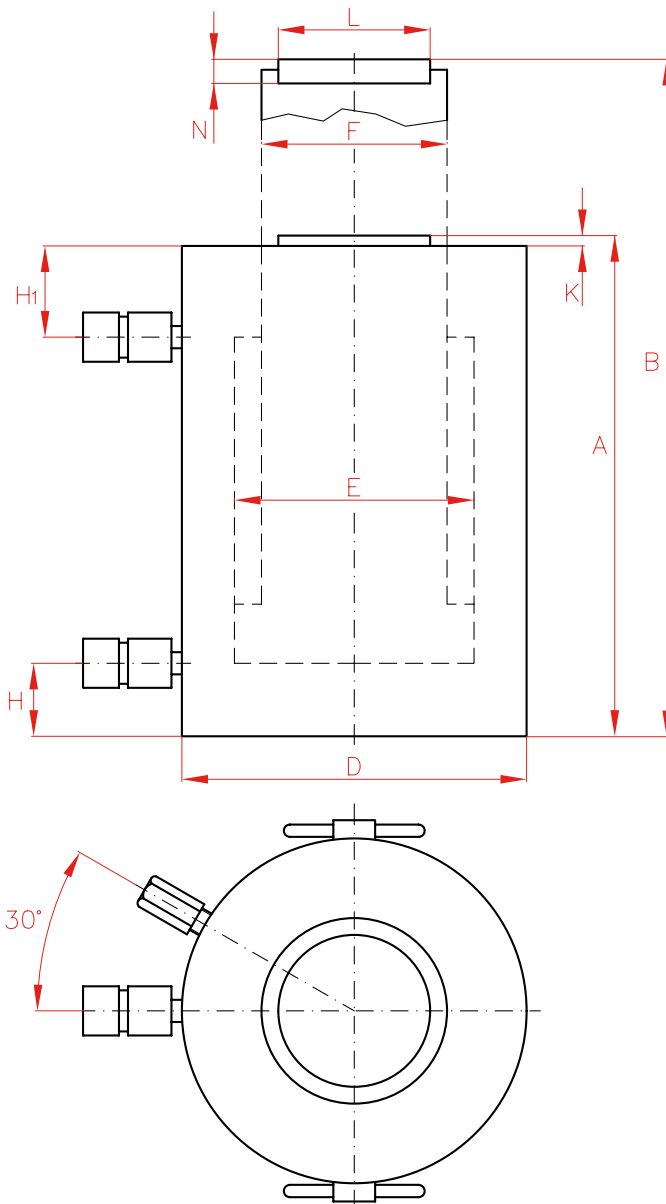
Oil Cap.	A	B	D	E	F	H	H1	K	L	N	Area	Weight	Model	With tilting saddle	
cm <sup>3</sup>	mm	mm	mm	mm	mm	mm	mm	mm	mm	mm	cm <sup>2</sup>	kg	LARZEP	A	Model
354	216	266	127	95	80	30	80	6	61	12	71	20	<b>DDR05005</b>	243	AZ0402
709	266	366	127	95	80	30	80	6	61	12	71	24	<b>DDR05010</b>	293	AZ0402
1.063	316	466	127	95	80	30	80	6	61	12	71	28	<b>DDR05015</b>	343	AZ0402
1.418	366	566	127	95	80	30	80	6	61	12	71	32	<b>DDR05020</b>	393	AZ0402
1.772	416	666	127	95	80	30	80	6	61	12	71	36	<b>DDR05025</b>	443	AZ0402
2.126	466	766	127	95	80	30	80	6	61	12	71	40	<b>DDR05030</b>	493	AZ0402
664	196	246	170	130	100	30	60	6	88	14	133	31	<b>DDR10005</b>	229	AZ0404
1.327	246	346	170	130	100	30	60	6	88	14	133	39	<b>DDR10010</b>	279	AZ0404
1.991	296	446	170	130	100	30	60	6	88	14	133	47	<b>DDR10015</b>	329	AZ0404
2.655	346	546	170	130	100	30	60	6	88	14	133	56	<b>DDR10020</b>	379	AZ0404
3.318	401	651	170	130	100	30	65	6	88	14	133	65	<b>DDR10025</b>	434	AZ0404
3.982	451	751	170	130	100	30	65	6	88	14	133	72	<b>DDR10030</b>	484	AZ0404
1.005	201	251	200	160	110	35	60	6	88	14	201	44	<b>DDR14005</b>	234	AZ0404
2.011	251	351	200	160	110	35	60	6	88	14	201	51	<b>DDR14010</b>	284	AZ0404
3.016	306	456	200	160	110	35	65	6	88	14	201	59	<b>DDR14015</b>	339	AZ0404
4.021	356	556	200	160	110	35	65	6	88	14	201	66	<b>DDR14020</b>	389	AZ0404
5.027	411	661	200	160	110	35	70	6	88	14	201	74	<b>DDR14025</b>	444	AZ0404
6.032	461	761	200	160	110	35	70	6	88	14	201	81	<b>DDR14030</b>	494	AZ0404



Optional Tilting Saddle.

Page. 112

Carefully read and understand the safety instructions.



Capacity	Stroke	Model	Capacity (kN)		
			Tn	mm	
220	50	DDR22005	2.156	1.100	
	100	DDR22010	2.156	1.100	
	150	DDR22015	2.156	1.100	
	200	DDR22020	2.156	1.100	
	250	DDR22025	2.156	1.100	
	300	DDR22030	2.156	1.100	
350	50	DDR35005	3.370	1.213	
	100	DDR35010	3.370	1.213	
	150	DDR35015	3.370	1.213	
	200	DDR35020	3.370	1.213	
	250	DDR35025	3.370	1.213	
	300	DDR35030	3.370	1.213	
430	50	DDR43005	4.224	1.618	
	100	DDR43010	4.224	1.618	
	150	DDR43015	4.224	1.618	
	200	DDR43020	4.224	1.618	
	250	DDR43025	4.224	1.618	
	300	DDR43030	4.224	1.618	
560	50	DDR56005	5.521	2.152	
	100	DDR56010	5.521	2.152	
	150	DDR56015	5.521	2.152	
	200	DDR56020	5.521	2.152	
	250	DDR56025	5.521	2.152	
	300	DDR56030	5.521	2.152	
670	50	DDR67005	6.600	2.378	
	100	DDR67010	6.600	2.378	
	150	DDR67015	6.600	2.378	
	200	DDR67020	6.600	2.378	
	250	DDR67025	6.600	2.378	
	300	DDR67030	6.600	2.378	
880	50	DDR88005	8.626	3.106	
	100	DDR88010	8.626	3.106	
	150	DDR88015	8.626	3.106	
	200	DDR88020	8.626	3.106	
	250	DDR88025	8.626	3.106	
	300	DDR88030	8.626	3.106	
1.100	50	DDR110005	10.921	3.932	
	100	DDR110010	10.921	3.932	
	150	DDR110015	10.921	3.932	
	200	DDR110020	10.921	3.932	
	250	DDR110025	10.921	3.932	
	300	DDR110030	10.921	3.932	

# Performance under Pressure

	Oil Cap.	A	B	D	E	F	H	H1	K	L	N	Area	Weight	Model	With tilting saddle	
	cm <sup>3</sup>	mm	mm	mm	mm	mm	mm	mm	mm	mm	mm	cm <sup>2</sup>	kg	LARZEP	A	Model
	1.571	216	266	250	200	140	40	70	6	111	15	314	75	DDR22005	253	AZ0405
	3.142	266	366	250	200	140	40	70	6	111	15	314	86	DDR22010	303	AZ0405
	4.712	326	476	250	200	140	40	75	6	111	15	314	101	DDR22015	363	AZ0405
	6.283	376	576	250	200	140	40	75	6	111	15	314	112	DDR22020	413	AZ0405
	7.854	436	686	250	200	140	40	80	6	111	15	314	127	DDR22025	473	AZ0405
	9.425	486	786	250	200	140	40	80	6	111	15	314	139	DDR22030	523	AZ0405
	2.454	236	286	310	250	200	50	80	6	178	23	491	127	DDR35005	280	AZ0408
	4.909	286	386	310	250	200	50	80	6	178	23	491	148	DDR35010	330	AZ0408
	7.363	341	491	310	250	200	50	80	6	178	23	491	175	DDR35015	385	AZ0408
	9.817	391	591	310	250	200	50	80	6	178	23	491	195	DDR35020	435	AZ0408
	12.272	451	701	310	250	200	50	85	6	178	23	491	222	DDR35025	495	AZ0408
	14.726	501	801	310	250	200	50	85	6	178	23	491	243	DDR35030	545	AZ0408
	3.079	248	298	340	280	220	55	85	8	178	23	616	164	DDR43005	292	AZ0408
	6.158	298	398	340	280	220	55	85	8	178	23	616	188	DDR43010	342	AZ0408
	9.236	353	503	340	280	220	55	85	8	178	23	616	215	DDR43015	397	AZ0408
	12.315	403	603	340	280	220	55	85	8	178	23	616	239	DDR43020	447	AZ0408
	15.394	458	708	340	280	220	55	85	8	178	23	616	266	DDR43025	502	AZ0408
	18.473	508	808	340	280	220	55	85	8	178	23	616	290	DDR43030	552	AZ0408
	4.021	268	318	390	320	250	65	90	8	200	27	804	234	DDR56005	320	AZ0411
	8.042	318	418	390	320	250	65	90	8	200	27	804	266	DDR56010	370	AZ0411
	12.064	373	523	390	320	250	65	90	8	200	27	804	301	DDR56015	425	AZ0411
	16.085	423	623	390	320	250	65	90	8	200	27	804	332	DDR56020	475	AZ0411
	20.106	488	738	390	320	250	65	100	8	200	27	804	377	DDR56025	540	AZ0411
	24.127	538	838	390	320	250	65	100	8	200	27	804	408	DDR56030	590	AZ0411
	4.811	293	343	430	350	280	65	105	8	200	27	962	315	DDR67005	345	AZ0411
	9.621	343	443	430	350	280	65	105	8	200	27	962	355	DDR67010	395	AZ0411
	14.432	398	548	430	350	280	65	105	8	200	27	962	400	DDR67015	450	AZ0411
	19.242	448	648	430	350	280	65	105	8	200	27	962	439	DDR67020	500	AZ0411
	24.053	508	758	430	350	280	65	105	8	200	27	962	490	DDR67025	560	AZ0411
	28.863	558	858	430	350	280	65	105	8	200	27	962	530	DDR67030	610	AZ0411
	6.283	310	360	490	400	320	70	115	10	250	35	1.257	434	DDR88005	380	AZ0413
	12.566	360	460	490	400	320	70	115	10	250	35	1.257	485	DDR88010	430	AZ0413
	18.850	420	570	490	400	320	70	115	10	250	35	1.257	551	DDR88015	490	AZ0413
	25.133	470	670	490	400	320	70	115	10	250	35	1.257	602	DDR88020	540	AZ0413
	31.416	530	780	490	400	320	70	115	10	250	35	1.257	668	DDR88025	600	AZ0413
	37.699	580	880	490	400	320	70	115	10	250	35	1.257	719	DDR88030	650	AZ0413
	7.952	330	380	550	450	360	80	125	10	325	55	1.590	578	DDR110005	450	AZ0415
	15.904	380	480	550	450	360	80	125	10	325	55	1.590	648	DDR110010	500	AZ0415
	23.856	440	590	550	450	360	80	125	10	325	55	1.590	731	DDR110015	560	AZ0415
	31.809	490	690	550	450	360	80	125	10	325	55	1.590	795	DDR110020	610	AZ0415
	39.761	550	800	550	450	360	80	125	10	325	55	1.590	878	DDR110025	670	AZ0415
	47.713	600	900	550	450	360	80	125	10	325	55	1.590	960	DDR110030	720	AZ0415